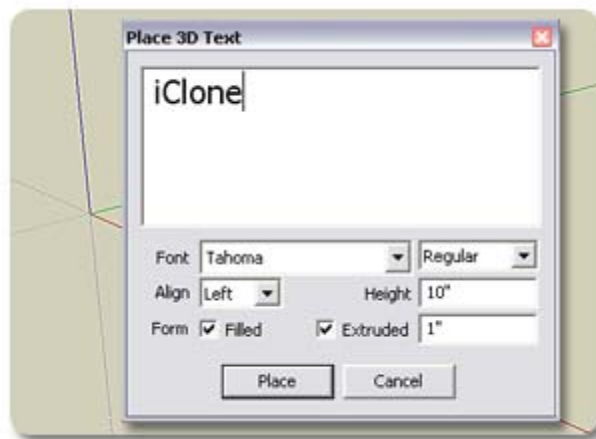


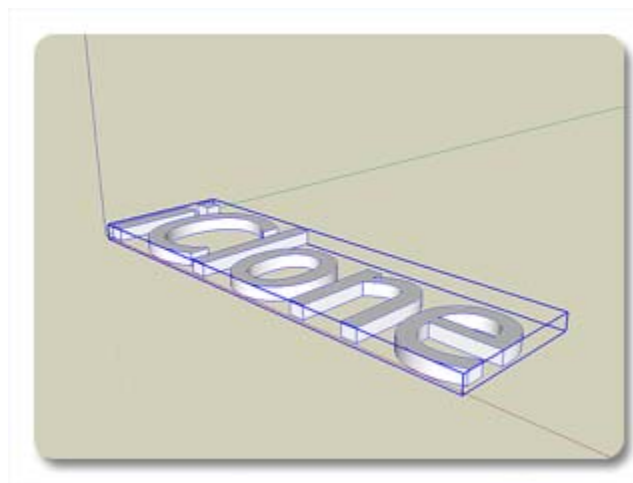
Create 3D text for iClone

Creating 3D texts for iClone is very simple by the connection of 3DXchange with SketchUp.

1. In SketchUp, select "Tools/3D Text".
2. You are prompted a dialog. Please type in the desired strings.



3. Click Place button.



4. Save as SKP file
5. Load this file into 3DXchange.

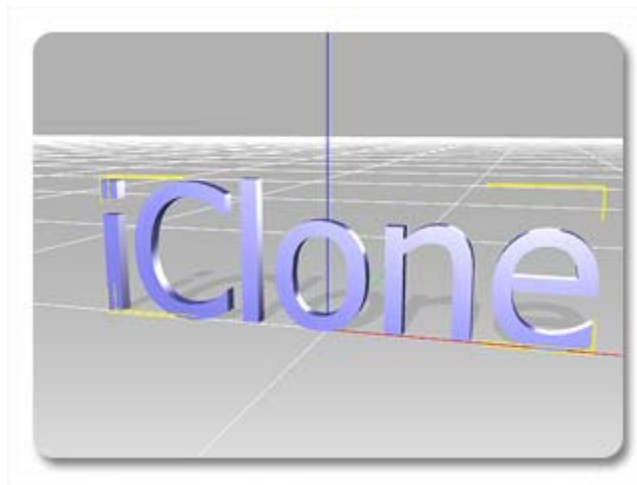


6. Select Export and in the dialog, check Props radio button and click export.
7. Launch iClone and switch to Prop/Custom tab.
8. You may see this 3D text stored in the gallery. Apply it into your scene.



Note:

- You may also modify some basic material attributes of the 3D text provided in 3DXchange in advanced.



In 3DXchange



In iClone